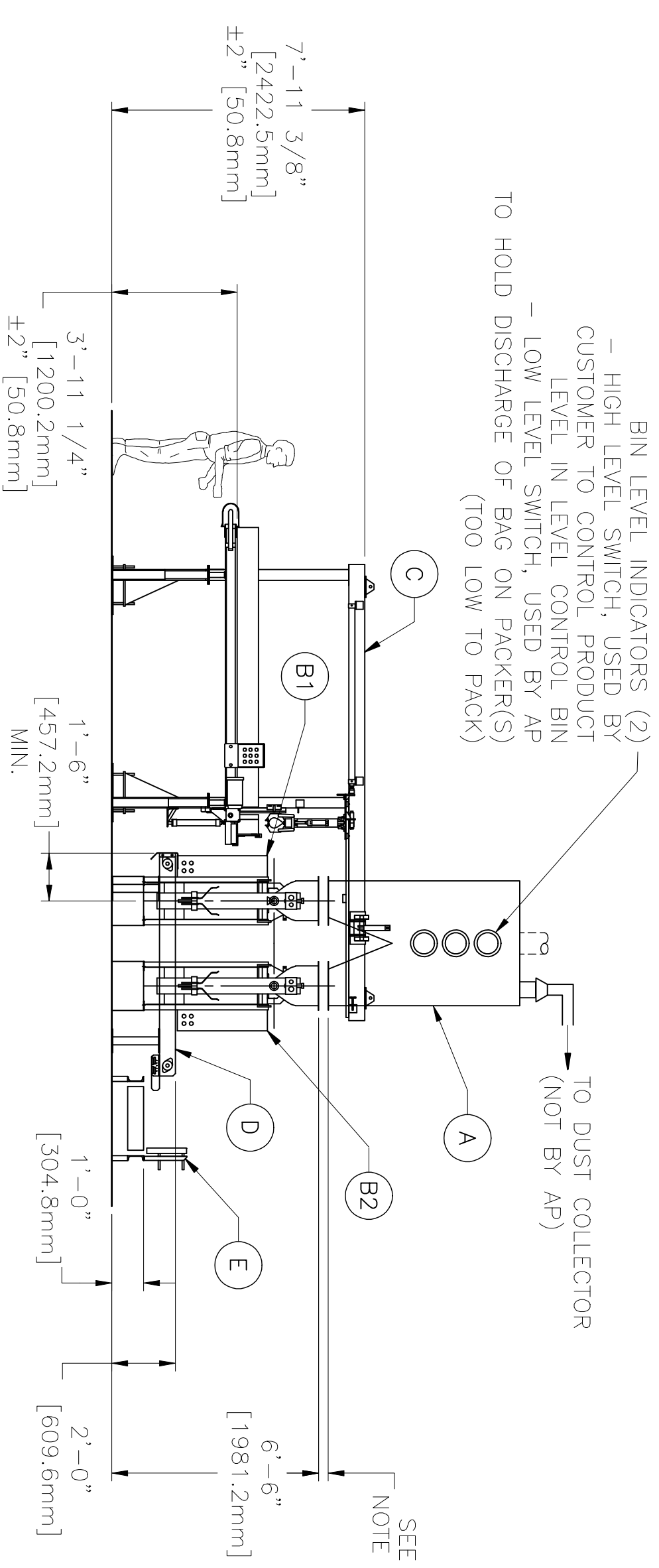
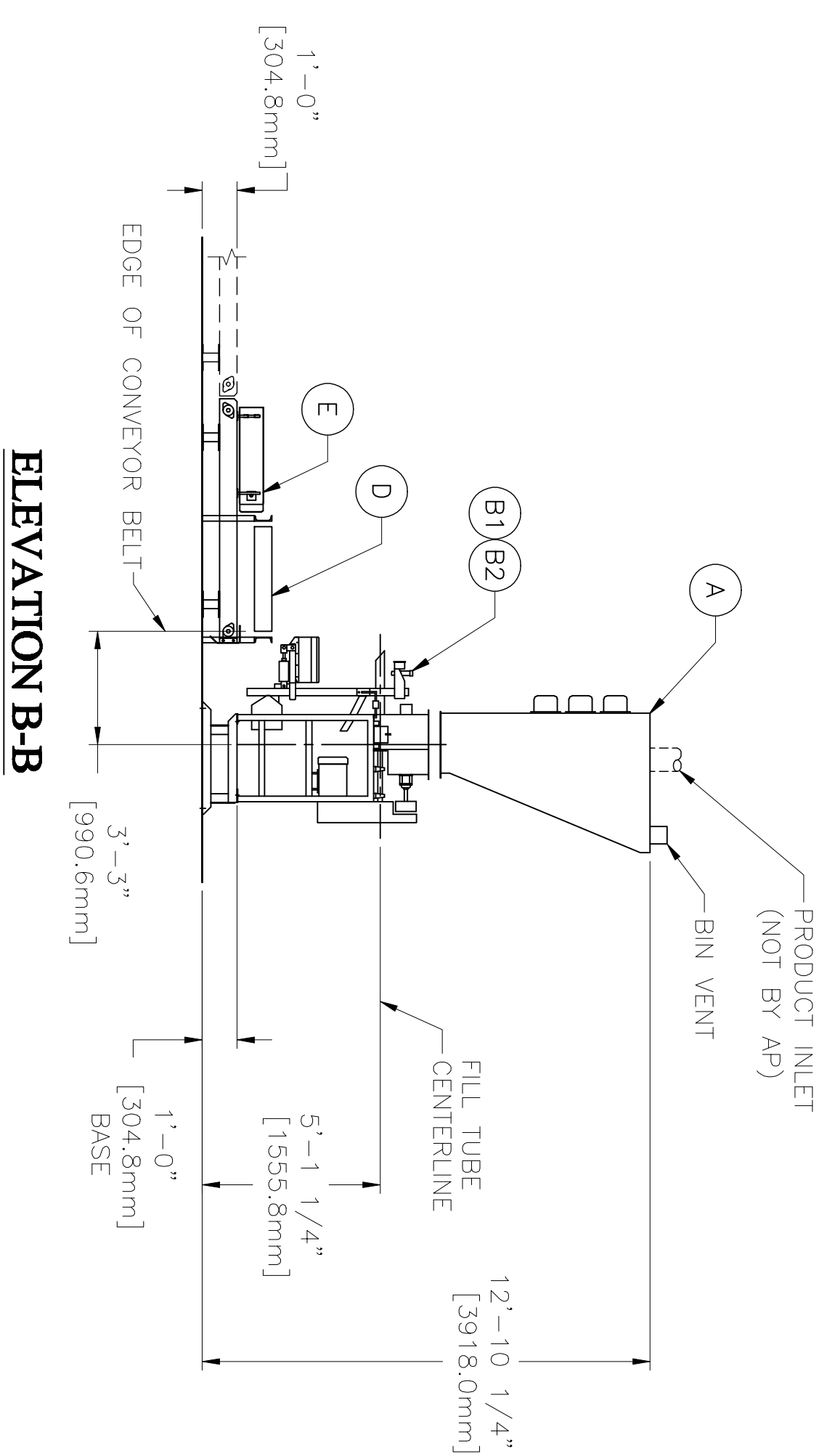


APPLICATOR / FILL TUBE RELATIONSHIP



ELEVATION A-A



ELEVATION B-B

ITEM	MODEL	REF DWG	DESCRIPTION	QTY
A	~	~	HEAVY DUTY LEVEL CONTROL BIN WITH LEVEL INDICATORS (SEE NOTE 7)	1
B1	987	DS446-A	AUGER FLOW VALVE BAG PACKER w/ AGITATOR	1
B2	987	DS446-A	AUGER FLOW VALVE BAG PACKER w/ AGITATOR	1
C	507	DS497-B	AUTOMATIC VALVE BAG APPLICATOR (LEFT HAND)	1
D	860	DS475-C	PACKER CONVEYOR, 36" [914.4mm] WIDE WIRE MESH x 7'-0" [2133.6mm] O.A.L. w/ TIP BAR	1
E	850	DS475-B	TRANSFER CONVEYOR, 24" [609.6mm] WIDE x 7'-0" [2133.6mm] O.A.L. w/ TIP FENCE & BAG GUIDES	1

NOTES:

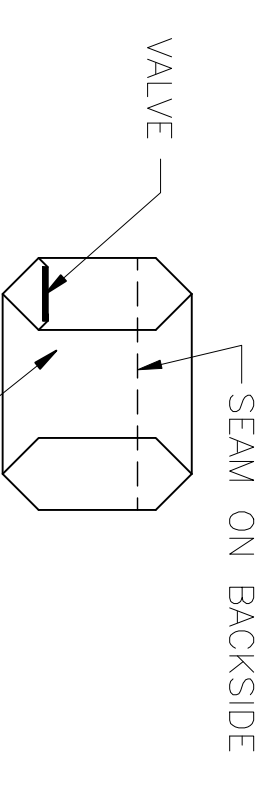
1. ACTIVITY PACKAGING IS DESIGNATED AS 'AP'.
2. AP RECOMMENDS THAT THE CONVEYORS NOT BE LAGGED TO THE FLOOR UNTIL AN AP SERVICE REP. HAS VERIFIED THE POSITION. ADDITIONALLY, IT MAY BE WISE TO PLAN FOR A FEW INCHES OF FLEXIBILITY IN POSITION BY USING A LENGTH OF FLEXIBLE CONDUIT FOR FIELD WIRING.
3. ALL CONVEYORS HAVE APPROXIMATELY A 1" [25.4mm] GAP BETWEEN FRAMES.
4. CUSTOMER TO PROVIDE AND INSTALL PROTECTIVE GUARDING FOR PURPOSES OF PERSONNEL SAFETY AT TIME OF EQUIPMENT INSTALLATION. SPECIAL CONSIDERATION SHOULD BE GIVEN TO AREAS OF THE DRAWING MARKED AS: ~~~~~
5. 4" [101.6mm] GAP FOR VIBRATION ISOLATION (FLEXIBLE CONNECTION BY AP).
6. WE RECOMMEND 2 1/2" [63.5mm] PIPING FOR DISTANCES UP TO 80 FEET [24384mm] AND 3" [76.2mm] PIPING FOR DISTANCES UP TO 200 FEET [60960mm].
7. SUPPORT LEVEL CONTROL BIN INDEPENDENT OF PACKERS.

TECHNICAL SPECIFICATIONS

AREA CLASSIFICATION:	NON RATED
AIR:	80 PSI CLEAN DRY AIR RECOMMENDED
ELECTRICAL - POWER:	DETERMINED BY CUSTOMER (230/460 VAC TYPICAL)
ELECTRICAL - CONTROL:	120 VAC 1 PHASE 60 Hz
MOTORS:	TEFC IS STANDARD*
ENCLOSURES:	NEMA 12 IS STANDARD*
PAINT:	STEEL IT
DUST COLLECTION:	RECOMMENDED (400 SCFM)
PRODUCT:	MILD STEEL
PRODUCT CONTACT:	(STAINLESS STEEL OPTIONAL)

BAG REQUIREMENTS

BAG TYPE:	PASTED VALVE BAG (PV) - UPPER LEFT FOLDED TO FACE (ULFF)
BAG SIZE(S):	TO BE DETERMINED - SYSTEM DESIGNED FOR AN EMPTY BAG LENGTH OF 24" [609.6mm]
BAG TRAVEL:	FACE UP, VALVE LEADING AFTER TIP-OVER
BAG RATE:	



FOR PRELIMINARY INFORMATION PURPOSES ONLY. DO NOT USE FOR INSTALLING EQUIPMENT.

987 (2) AND 507 APPLICATOR TYPICAL INSTALLATION DRAWING

Activity PACKAGING	860 Industrial Equipment 545 West North Street Salem, OR 97301-3200
DESIGNED: ~	DATE: 1/7/08
DRAWN: MRM	DATE: ~
PRINTING SCALE: 1/4" = 1'-0"	DATE: ~
SHEET NO. 1 OF 1	
DWG. NO. 313943-D	