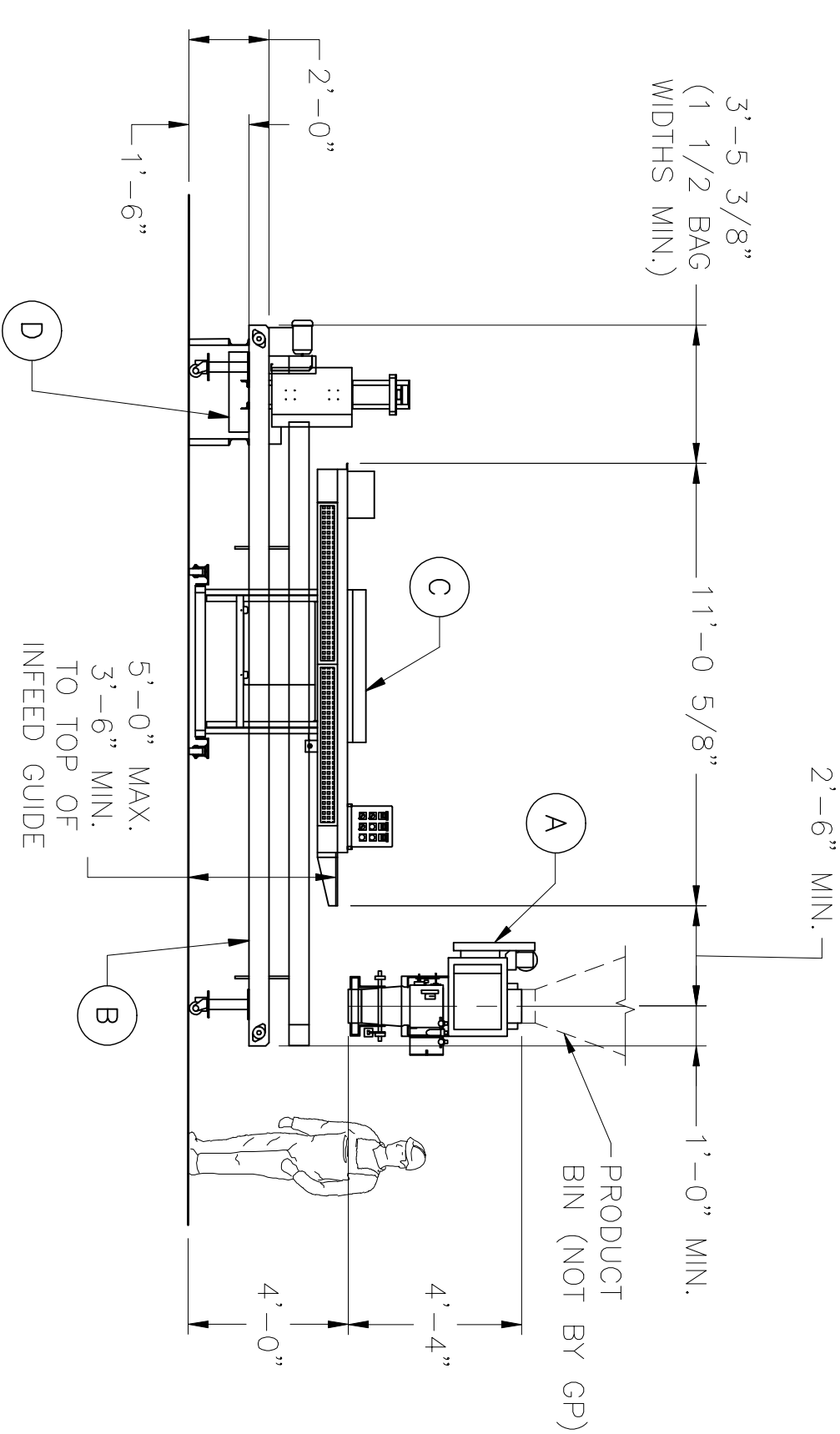
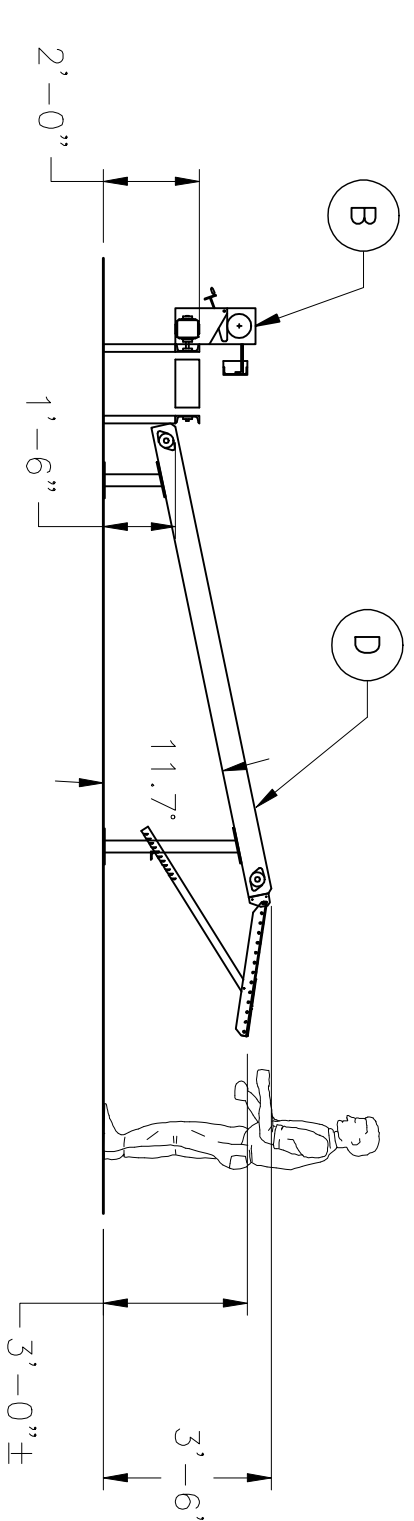


MAIN SYSTEM ELECTRICAL ENCLOSURE (SIZE AND LOCATION TO BE DETERMINED).



ELEVATION A-A



ELEVATION B-B

- NOTES:**
1. GRAPHIC PACKAGING IS DESIGNATED AS 'GP'.
  2. GP RECOMMENDS THAT THE EQUIPMENT NOT BE LAGGED TO THE FLOOR UNTIL A GP SERVICE REP. HAS VERIFIED THE POSITION. ADDITIONALLY, IT MAY BE WISE TO PLAN FOR A FEW INCHES OF FLEXIBILITY IN POSITION BY USING A LENGTH OF FLEXIBLE CONDUIT FOR FIELD WIRING.

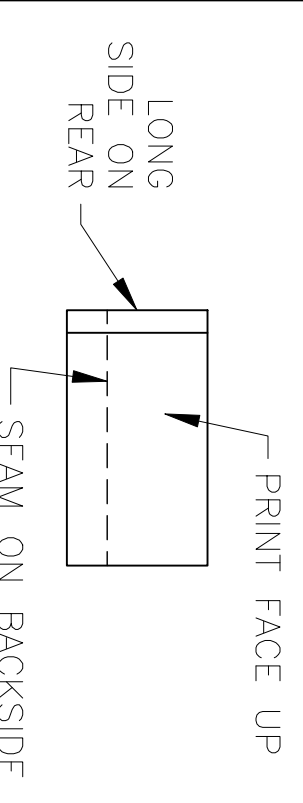
**TECHNICAL SPECIFICATIONS**

<b>AREA CLASSIFICATION:</b>	NON RATED
<b>AIR:</b>	80 PSI CLEAN DRY AIR RECOMMENDED
<b>ELECTRICAL - POWER:</b>	<i>DETERMINED BY CUSTOMER (230/460 VAC TYPICAL)</i>
<b>ELECTRICAL - CONTROL:</b>	120 VAC 1 PHASE 60 HZ
<b>MOTORS:</b>	TEFC IS STANDARD*
<b>ENCLOSURES:</b>	NEMA 12 IS STANDARD*
<b>PAINT:</b>	STEEL IT RECOMMENDED
<b>DUST COLLECTION:</b>	(400 SCFM)
<b>PRODUCT:</b>	
<b>PRODUCT CONTACT:</b>	MILD STEEL (STAINLESS STEEL OPTIONAL)

\* UPGRADES AVAILABLE

**BAG REQUIREMENTS**

<b>BAG TYPE:</b>	PINCH BOTTOM OPEN MOUTH BAG (PBOM)
<b>BAG SIZES:</b>	<i>TO BE DETERMINED</i>
<b>BAG TRAVEL:</b>	FACE UP, BUTT LEADING AFTER 90° KICKER
<b>BAG RATE:</b>	



**FOR PRELIMINARY INFORMATION PURPOSES ONLY. DO NOT USE FOR INSTALLING EQUIPMENT.**

**TYPICAL LAYOUT DRAWING**  
JEM SCALE, 840 CONVEYOR,  
92-1 SEALER/CLOSER & 850 CONVEYOR  
MANUAL LOAD AND UNLOAD

ITEM	MODEL	REF DWG	SERIAL #	DESCRIPTION
A	JEM	~		JMDI SCALE w/ BELT FEEDER
B	840	DS475-A		CLOSER CONVEYOR, 12" WIDE WIRE MESH x 18'-0" O.A.L. w/ 90° KICKER
C	92-1	DS436-B		SEALER/CLOSER
D	850	DS475-B		INCLINED CONVEYOR, 24" WIDE x 10'-0" O.A.L. w/ ROLLER DISCHARGE

DATE	INITIALS	ECO NO.	APP'D
<b>REVISIONS</b>			

**GRAPHIC PACKAGING INTERNATIONAL**

Box Packaging Equipment  
1881 West North Temple  
Salt Lake City, UT 84116-3097

DRAWN: MRM  
DESIGNED: ~  
DATE: 3/10/09

PRINTING SCALE: 1/4" = 1'-0"

SHEET NO. 1 OF 1  
DWG. NO. 314246-D