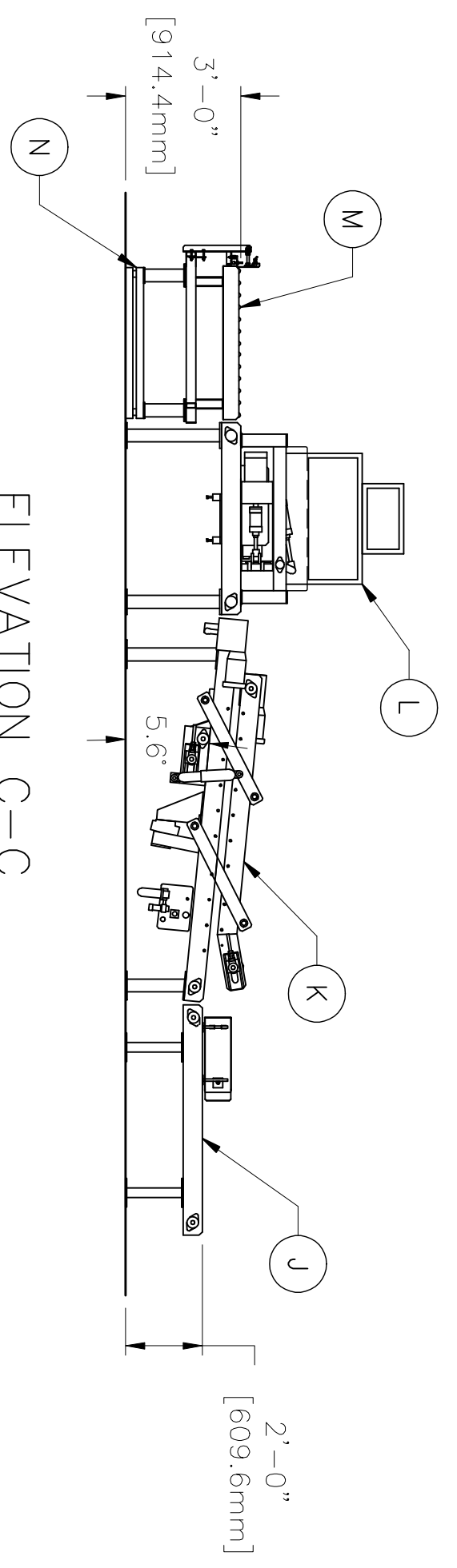
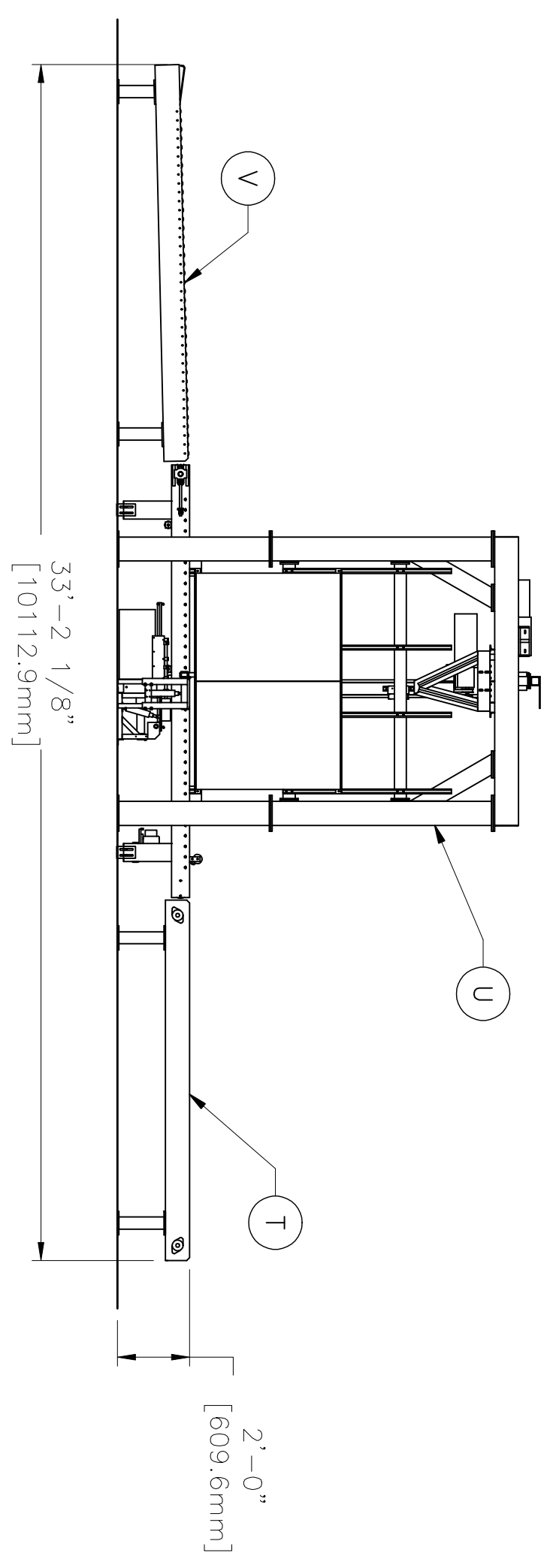


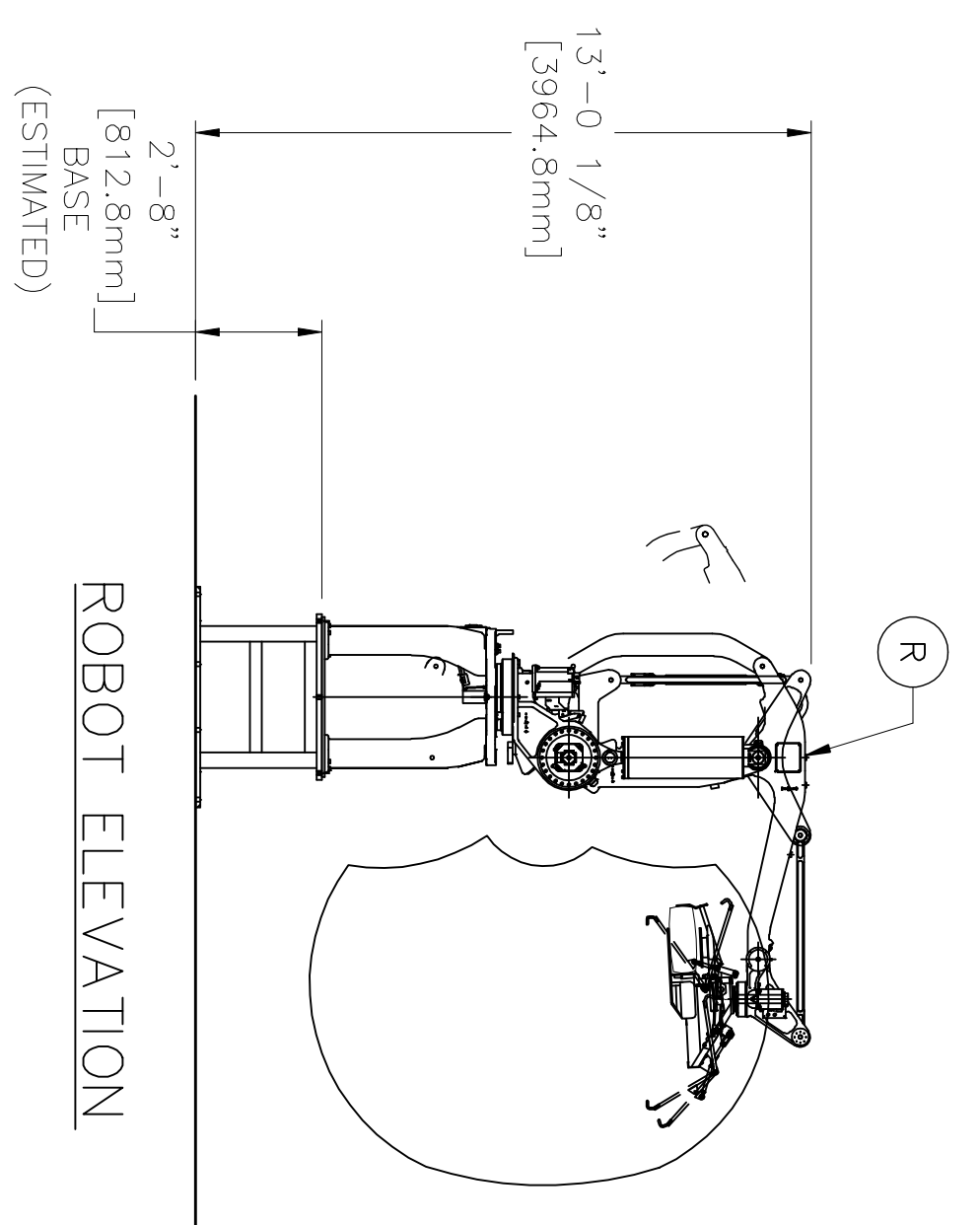
ELEVATION B-B



ELEVATION C-C



ELEVATION D-D



ROBOT ELEVATION

ITEM	MODEL	REF DWG	SERIAL #	DESCRIPTION	ITEM	MODEL	REF DWG	SERIAL #	DESCRIPTION
A	3T22L	DS523-0		HEAVY DUTY LEVEL CONTROL BIN WITH LEVEL INDICATORS AND SUPPORT LEGS - ONE OUTLET BLOKED FOR FUTURE USE	J	~	~		TRANSFER CONVEYOR, 24" [609.6mm] WIDE x 6'-0" [1828.8mm] O.A.L. w/ TIP FENCE & BAG GUIDES
B	3T22X	DS428-A		TRANSITION HOPPER - 3 TUBE ON 22" [558.8mm] CENTERS	K	~	~		FLATTENER, 24" [609.6mm] WIDE BELT x 10'-0" [3048mm] O.A.L.
C1	720-MP	DS556-0		FORCE FLOW VALVE BAG PACKER	L	2001	DS490-B		IN-LINE ULTRASONIC VALVE BAG SEALER
C2	720-MP	DS556-0		FORCE FLOW VALVE BAG PACKER	M	~	~		BAG PICKUP CONV., 4'-0" [1219.2mm] LONG x 4'-5" [1346.2mm] WIDE
D1	45 U-RAI	DS444-F		BLOWER ASSEMBLY w/ SILENCERS (SEE NOTE 4)	N	~	~		CHECKWEIGHER (UNDER BAG PICKUP CONVEYOR)
D2	45 U-RAI	DS444-F		BLOWER ASSEMBLY w/ SILENCERS (SEE NOTE 4)	P	~	~		REJECT ROLLER CONVEYOR, 5'-0" [1524mm] LONG
E	~	~		BULK BAG FILLER (TO BE DETERMINED)	R	FANUC	~		M-410IB ROBOT w/ GP FBR TOOL, PCC, AND VACUUM CUPS
F	FANUC	~		M-10IA ROBOT w/ GP CLAW TOOL	S	~	~		HORIZONTAL SLIPSHEET MAGAZINE
G	~	~		EMPTY BAG TABLE	T	~	~		PALETT CONVEYOR, 48" [1219.2mm] WIDE x 10'-0" [3048mm] LONG
H	~	~		PACKER CONVEYOR, 36" [914.4mm] WIDE WIRE MESH x 8'-0" [2438.4mm] O.A.L. w/ TIP BAR	U	~	~		ROTARY ARM STRETCHWRAPPER, 12'-0" [3657.6mm] LONG
					V	880	DS501-0		FULL PALLET CONVEYOR, 11'-0" [3352.8mm] O.A.L., INCLUDES 12" [304.8mm] SKIDPLATE

PRELIMINARY DRAWING - OPTION #2

DRAWN: MRM
 DESIGNED: ~
 DRAWING SCALE: 1/4" = 1'-0"
 SHEET NO.: 4 OF 4
 DATE: 6/16/08
 DWG. NO.: 314049-D