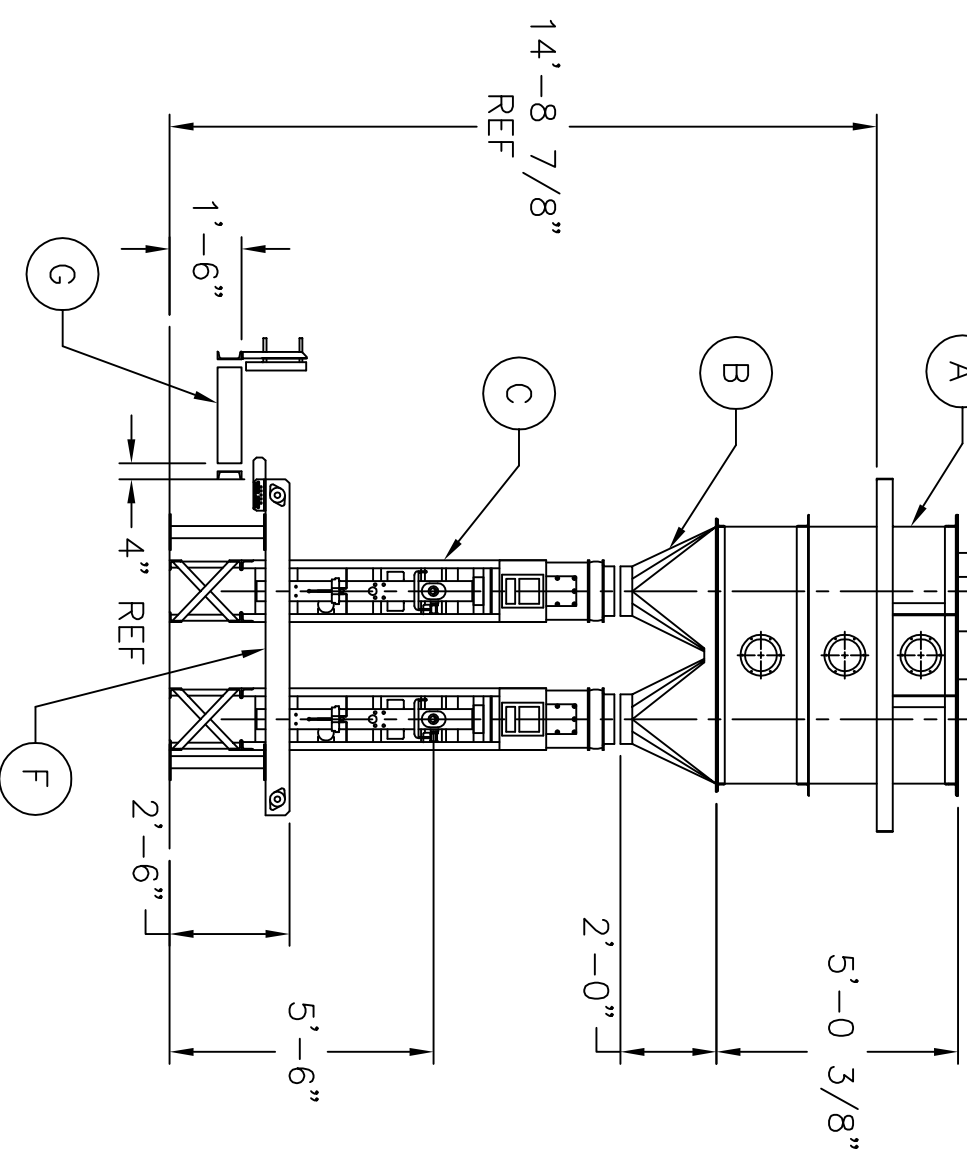


SEE NOTE 5 D

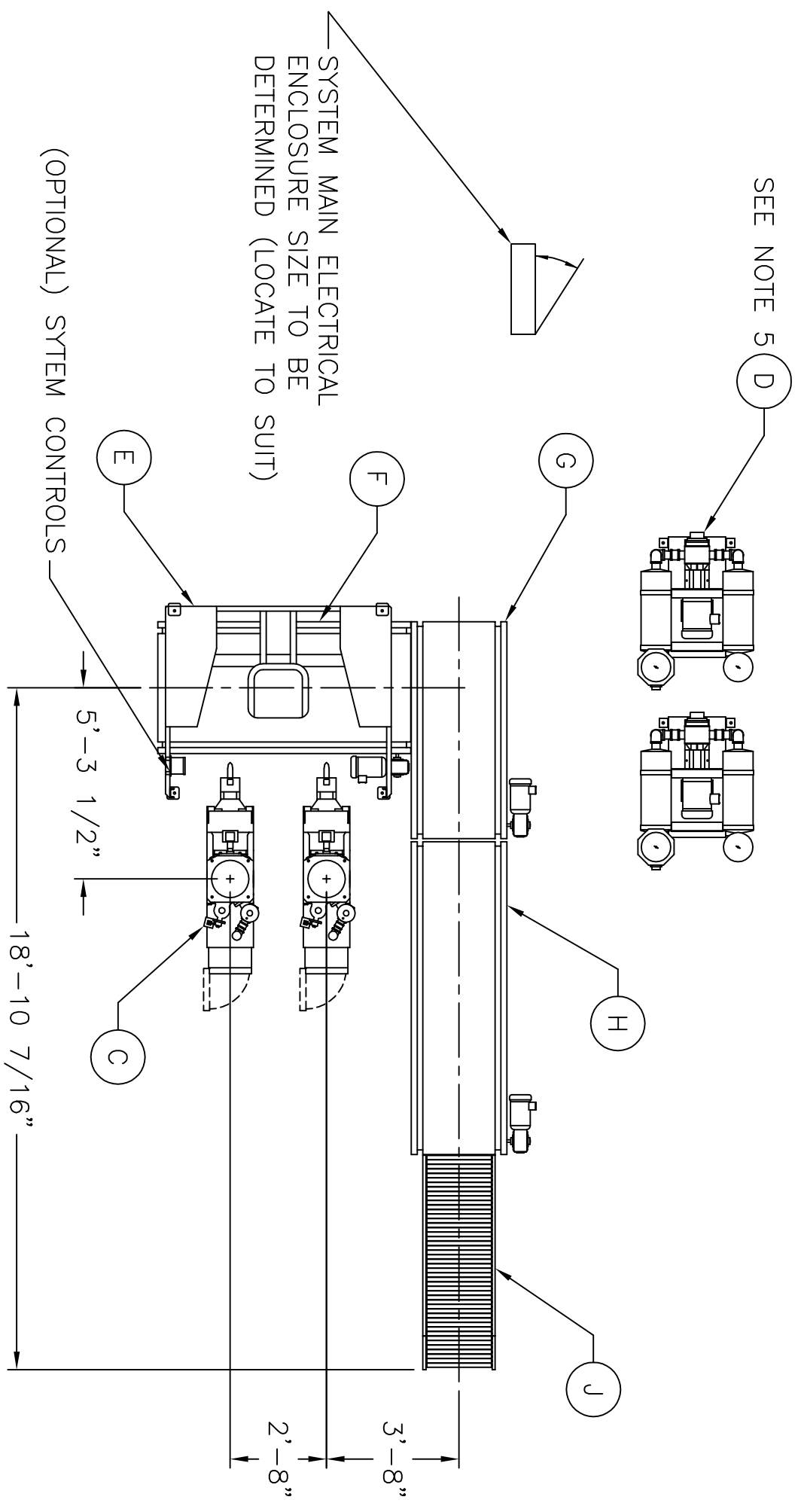
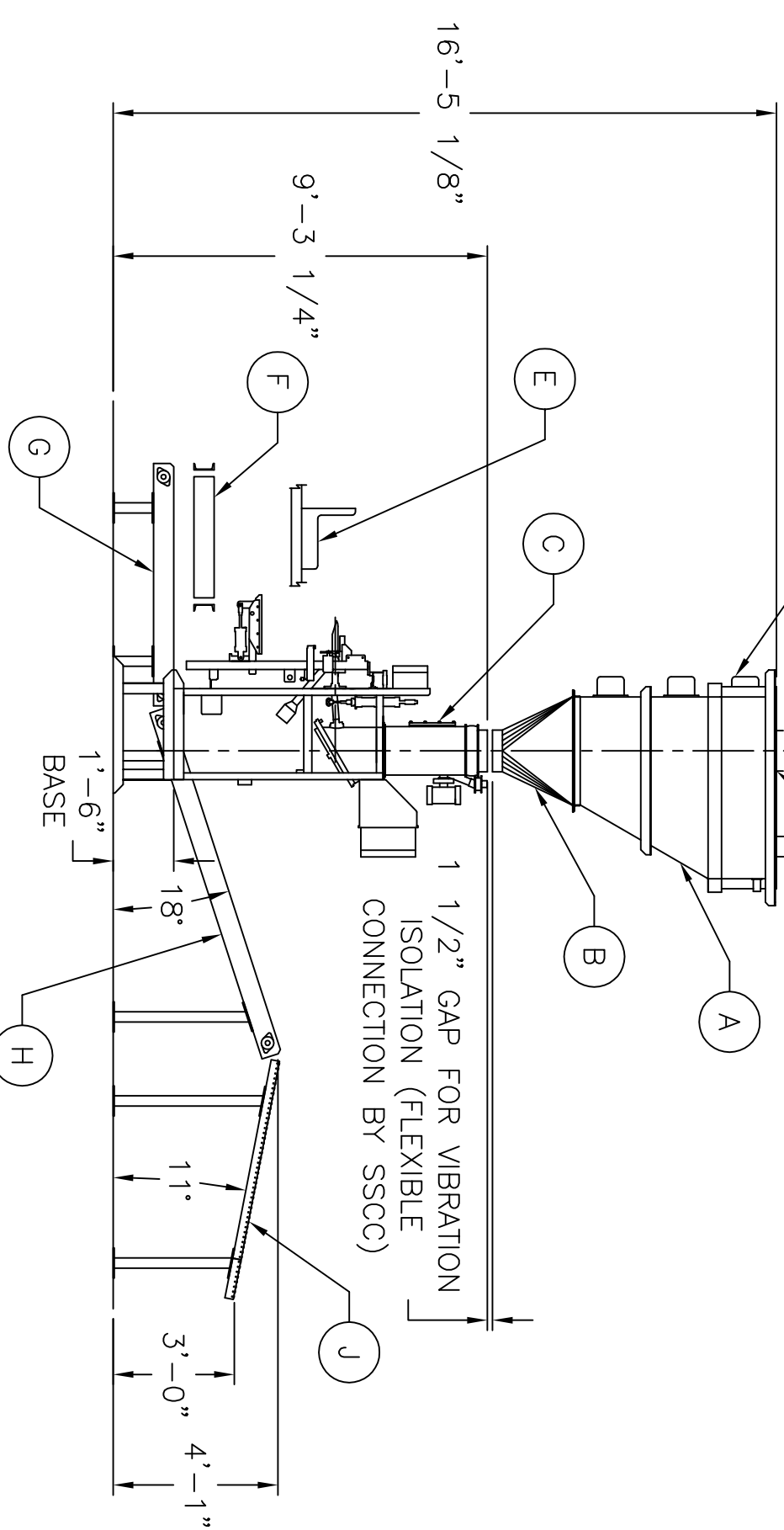
- NOTES:**
- SMURFIT-STONE CONTAINER CORPORATION IS (SSCC)
 - DO NOT LAG EQUIPMENT TO FLOOR UNTIL AFTER START-UP. LOCATION ADJUSTMENTS UP TO SEVERAL INCHES MAY BE REQUIRED. ALSO PROVIDE FOR POSSIBLE RELOCATION IN WIRING, PLUMBING, AND DUCTWORK.
 - ALL CONVEYORS HAVE APPROXIMATELY A 1" GAP BETWEEN FRAMES.
 - SUPPORT SURGE BIN AND TRANSITION HOPPER INDEPENDENT OF PACKERS. (NOT BY SSCC) [REFER TO DATA SHEET FOR SUSPENDED SUPPORT CRITERIA]
 - LOCATE BLOWERS WHERE SOUND LEVEL OF APPROXIMATELY 90 dBA IS ACCEPTABLE. BLOWER PIPING RUNS OF OVER 100'-0" ARE NOT RECOMMENDED.

TECHNICAL SPECIFICATIONS:

80 PSI CLEAN DRY AIR REQUIRED
 ELECTRICAL: POWER: 460 VAC, 3 PHASE, 60 HZ
 CONTROL: 120 VAC, 1 PHASE, 60 HZ
 TEFC MOTORS
 NEMA 12 ENCLOSURES
 PAINT: STANDARD SSCC GRAY ENAMEL
 DUST COLLECTION: REQUIRED
 PRODUCT: UNKNOWN (APPROXIMATELY 40 LBS/CU. FT)
 BAG SIZE(S): 16" x 24" x 6" EMPTY (50 LB)
 PRODUCT CONTACT: MILD STEEL



- HIGH AND MID LEVEL INDICATORS, USED BY CUSTOMER TO CONTROL PRODUCT LEVEL IN SURGE BIN
 - LOW LEVEL INDICATOR, USED BY SSCC TO HOLD DISCHARGE OF BAG ON PACKER(S)



SYSTEM MAIN ELECTRICAL ENCLOSURE SIZE TO BE DETERMINED (LOCATE TO SUIT)

CUSTOMER SUPPLIED PRODUCT FEED CONTROL DEVICE (REQUIRED FOR MOST ACCURATE OPERATION)

CUSTOMER PRODUCT SILO

PRODUCT INLET TO BE CUT AT INSTALLATION (NOT PROVIDED BY SSCC)

BIN VENT

ITEM	MODEL	REF DWG	DESCRIPTION	QTY
A		DS517	HEAVY DUTY SURGE BIN WITH LEVEL INDICATORS (SEE NOTE 4)	1
B		DS427	TRANSITION HOPPER - 2 TUBE ON 32" CENTERS	1
C		720 MP	FORCE FLOW VALVE BAG PACKER W/ 1'-6" TALL BASE	2
D		DS444-F	BLOWER ASSEMBLY W/ SILENCERS (SEE NOTE 5)	2
E		DS93-P	OPERATOR'S SEAT 2 TUBE	1
F		DS475-C	PACKER CONVEYOR, 36" WIDE WIRE MESH x 7'-0" O.A.L. w/ TIP BAR	1
G		DS475-B	TRANSFER CONVEYOR, 24" WIDE x 6'-0" O.A.L. w/ TIP FENCE	1
H		DS475-B	INCLINED TRANSPORT CONVEYOR, 24" WIDE x 9'-0" O.A.L.	1
J		DS475-B	GRAVITY ACCUMULATION CONVEYOR 6'-0" O.A.L.	1

TYPICAL INSTALLATION

2 MAN OPERATION
 BAGGING AND PALLATIZING, 2 PACKER

Smurfit-Stone Container Corp.
 Bag Packaging Equipment
 Salt Lake City, UT 84116-3097
 (801) 595-6800

LTR.	DATE	INITIALS	ECO NO.	APPD
9				
8				
7				
6				
5				
4				
3				
2				
1				

REVISIONS

SHEET 1 OF 1
 DWG. 311996-C