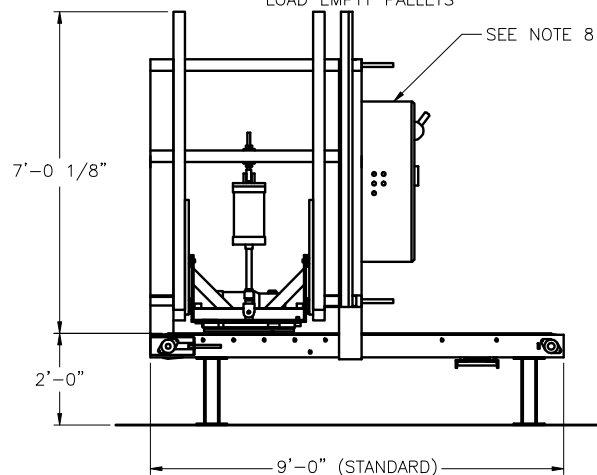
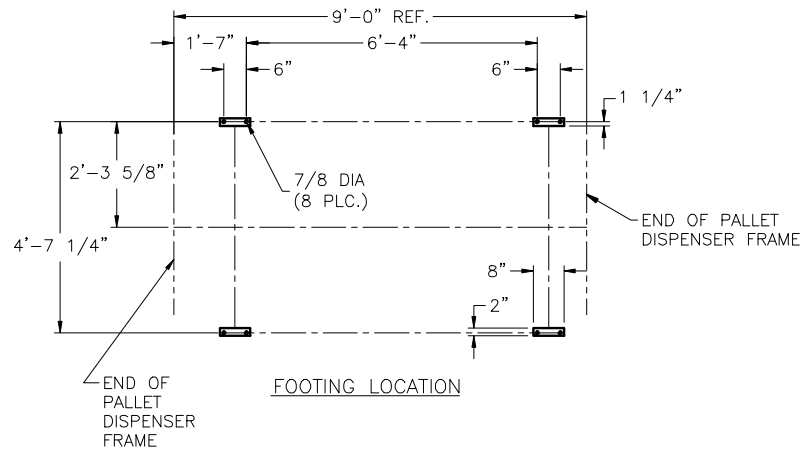
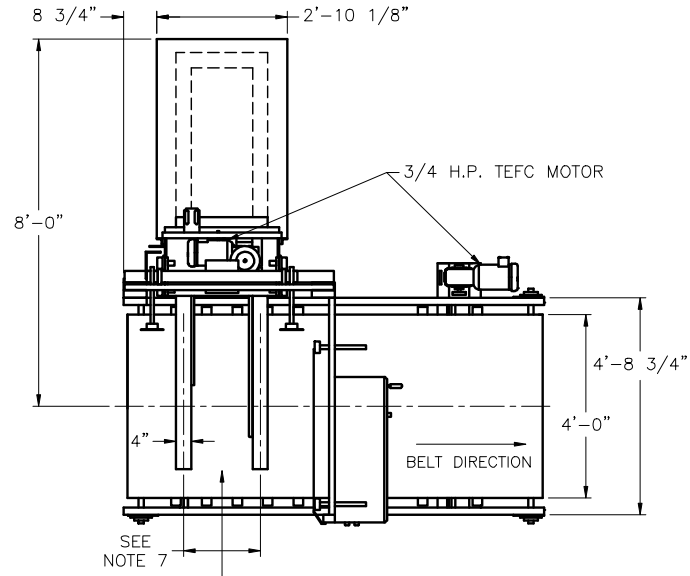




MODEL 930 PALLET DISPENSER

Data Sheet 476-0

BY PREMIER TECH SYSTEMS



NOTES:

1. CONVEYOR BELT IS 1/2" x 1" MESH, HEAVY DUTY GALVANIZE FLAT WIRE.
2. BELT SPEED IS 36 FPM.
3. ELECTRICAL SPECIFICATIONS: NEMA 12 ENCLOSURES 230/460 V, 3 PH, 60 HZ POWER
4. 80 PSIG CLEAN DRY AIR REQUIRED. USAGE: 3 STD. CU. FT. PER CYCLE.
5. PALLET MAGAZINE CAPACITY IS 14 TO 16 PALLETS.
6. LOAD PALLET MAGAZINE FROM EITHER OF TWO DIRECTIONS, END OR SIDE.
7. THIS DIMENSION IS EITHER 20" OR 26 1/2"
8. IF USED WITH PALLETIZER OR MBS-1000, THIS ENCLOSURE WILL NOT BE PROVIDED.

ESTIMATED CRATE DIMENSIONS: 126"L x 144"W x 126"T
ESTIMATED SHIPPING WEIGHT: 2500lb.